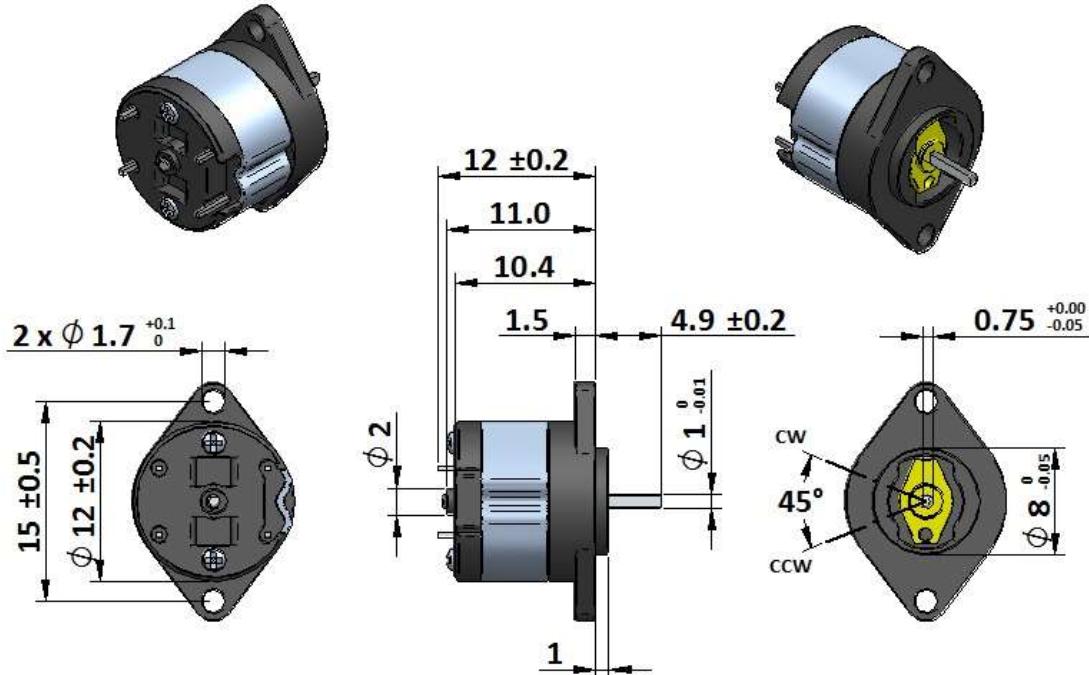
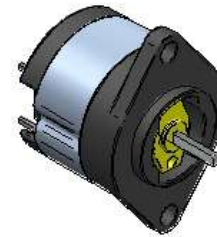
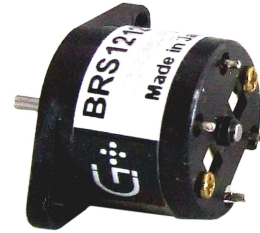


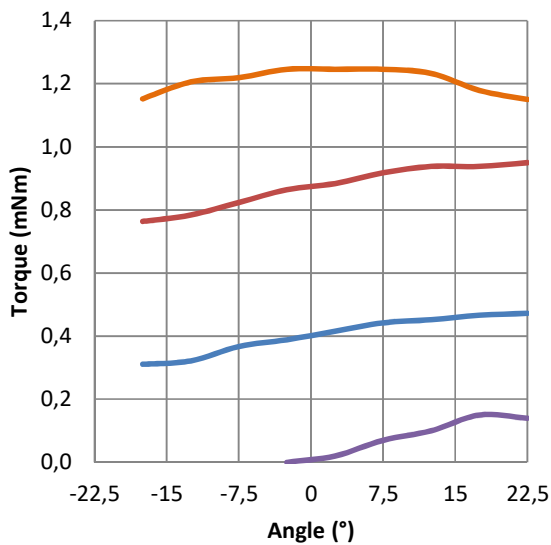


GEEPLUS BRS1212-95

Device drawn with shaft aligned to mid position
 Nominal 95Ω parallel, 380Ω series connection
 Rotor Inertia 0.035 gcm²
 Life Expectancy >100k cycles, 1gcm² load
 Optimal rotation +/- 22.5°, Mass 3.5 grammes
 Insulation Resistance >50MΩ, 500VDC Megger
 Dielectric Strength 300vAC, 50/60Hz, 1 second

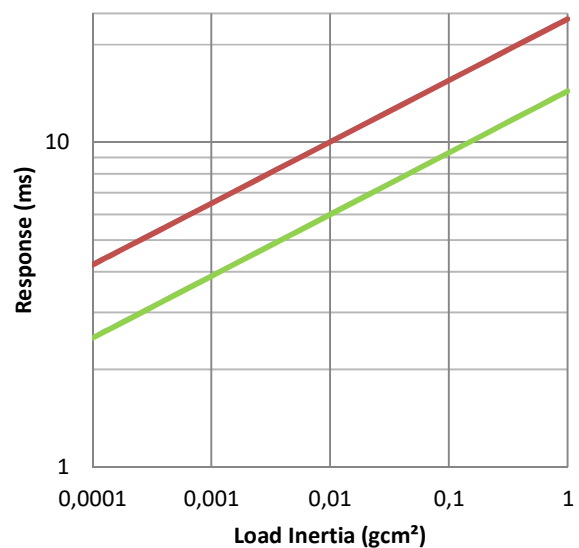


Typical Torque (mNm) vs Angle



— 53mA, 5v — 120mA, 12v
 — 204mA, 20v — Detent

Typical Response (ms) vs Load Inertia (gcm²)



— 53mA, 5v, Parallel — 126mA, 12v, Parallel

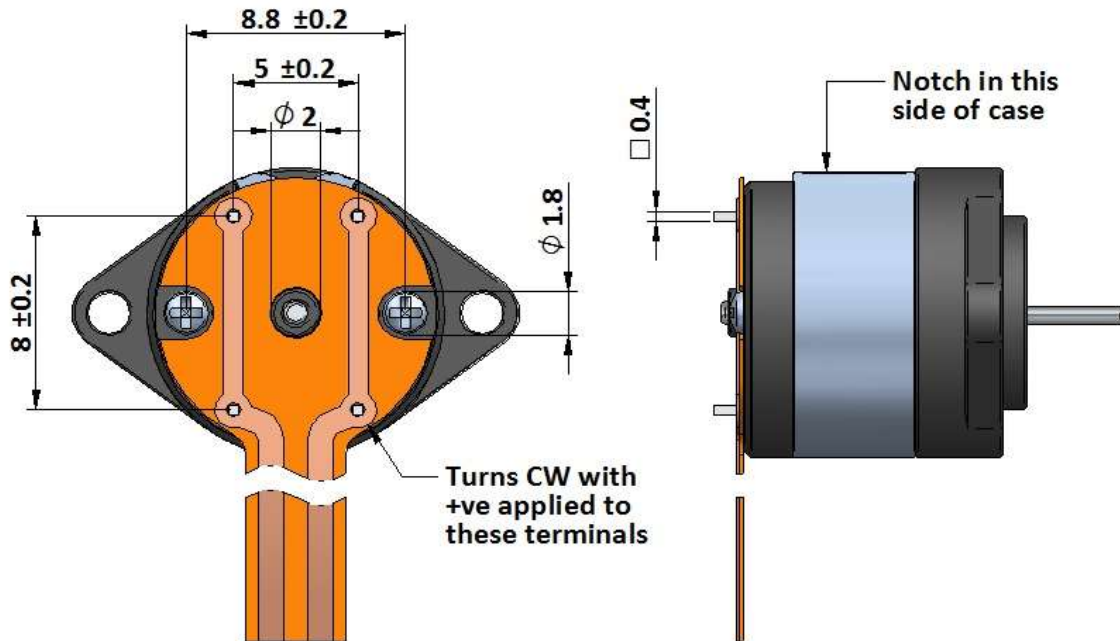


GEEPLUS

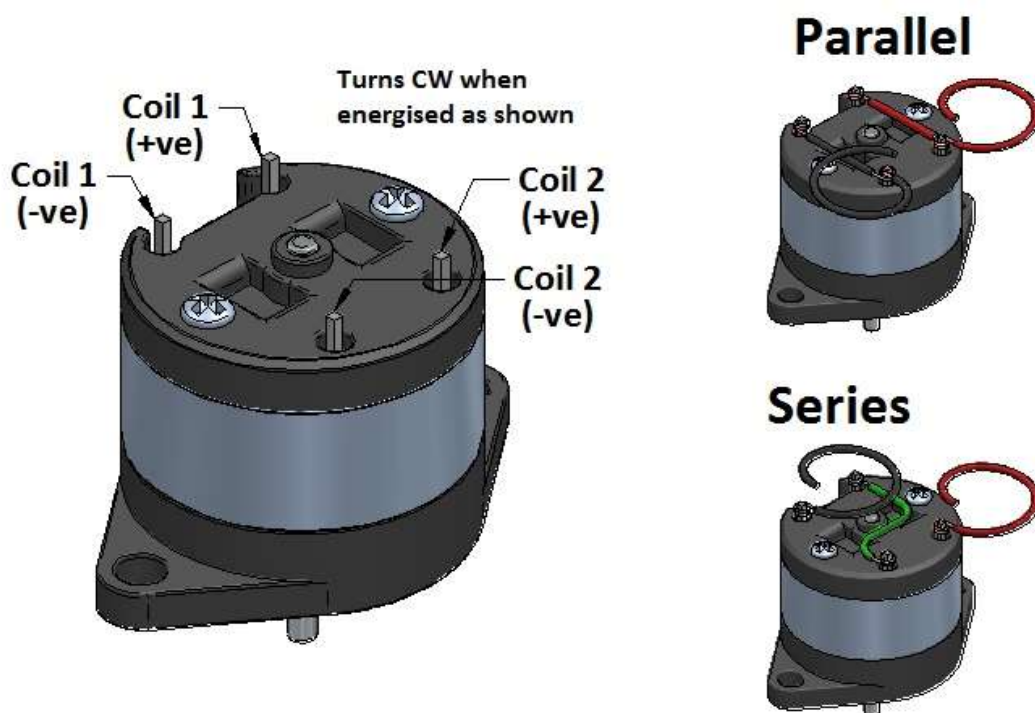
BRS1212-95 Connection

Termination with flexible circuit is recommended as this places minimal stress on the terminal pins. Parallel connection is shown below.

Rotor Inertia 0.035 gcm²



The drawing below shows termination with leadwire and shows both parallel and series connection configurations



Geepus reserves the right to change specifications without notice

www.geeplus.com