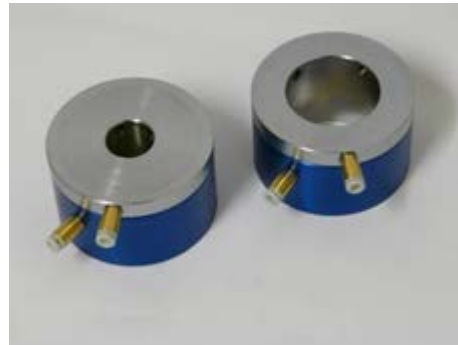
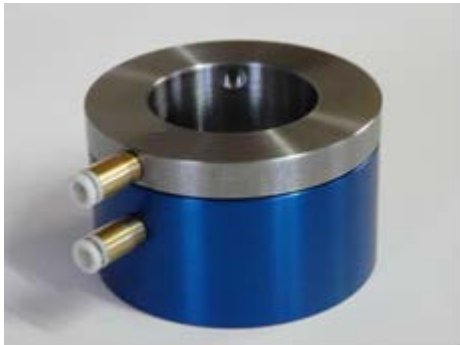


JR 1-1-4 R25+

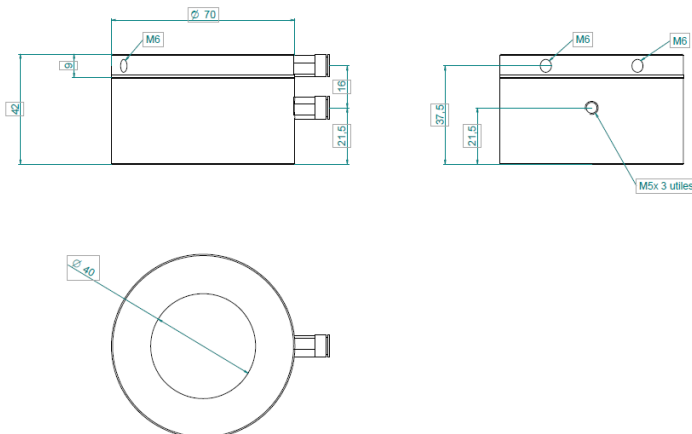
Single rotary joint with hollow shaft



Specification rotary union

| | |
|---------------|--|
| Passages: | 1 |
| Medium: | Air and vacuum |
| Speed: | up to 100 rpm |
| Pressure: | up to 10 bar, vacuum 30HG |
| Passage Ø: | 4 mm |
| Through bore: | up to 40mm |
| Material: | Aluminium housing, stainless steel rotor |
| Temperature: | -20 bis +105°C |

Dimensions:



Other specifications are available on request