



GEEPLUS

VM75P2

P_{100} is the continuous (100% ED) excitation power at which the coil attains temperature T_{max} with the part mounted to a massive heatsink at 20°C

P_{100} **42 W**

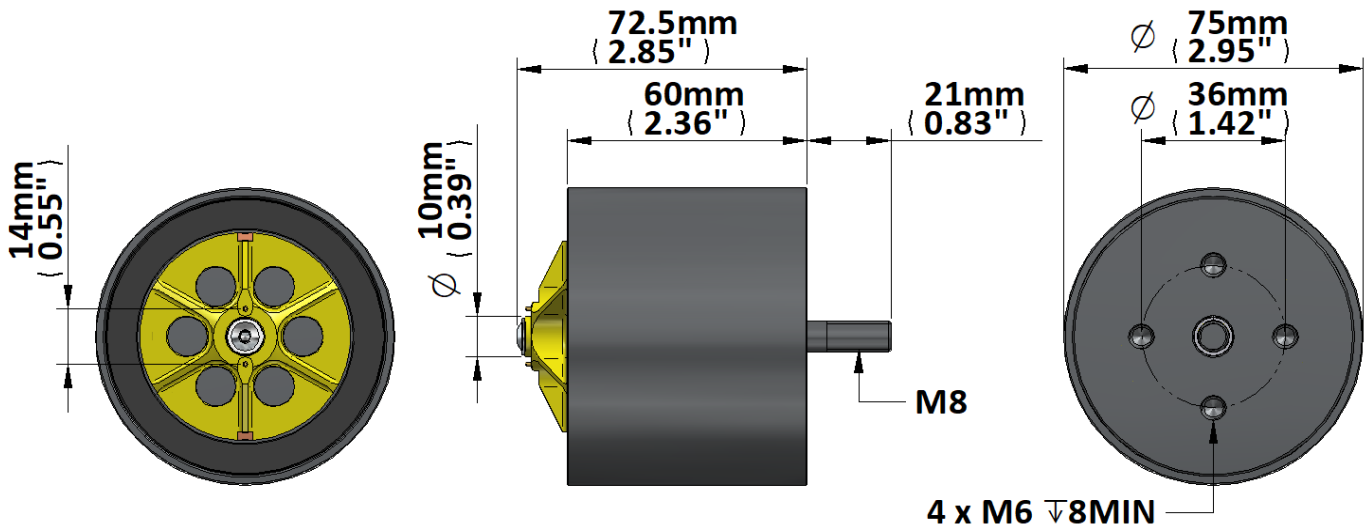
Mass **1700 g**

T_{max} **130 °C**

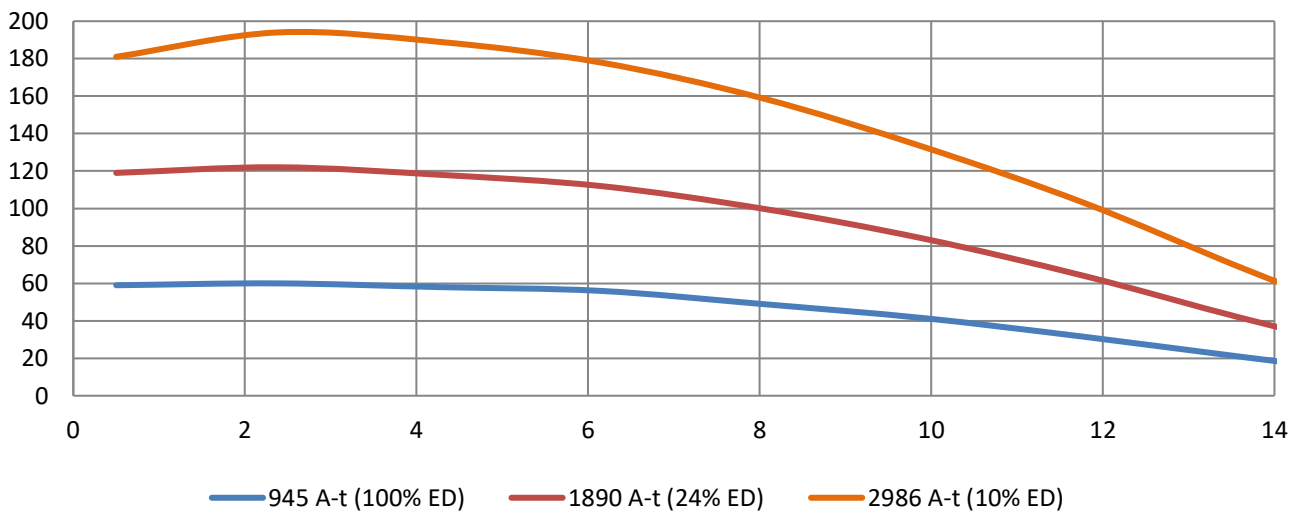
Coil Mass **160 g**

Model No.	Resistance R_{20}	Inductance	Force Constant	Velocity Constant	Current I_{100}
VM75P2-375	17.1 Ω	30.0 mH	48 N/A	48 Vs/m	1.3 A
VM75P2-560	3.5 Ω	6.2 mH	22 N/A	22 Vs/m	2.9 A

	Max 'ON' time	Peak Force
100% ED	∞	60 N
50% ED	240 s	85 N
25% ED	75 s	122 N
10% ED	15 s	194 N



Force (N) vs Displacement (mm)



Geeplus reserves the right to change specifications without notice

www.geeplus.biz e-mail: info@geeplus.biz