

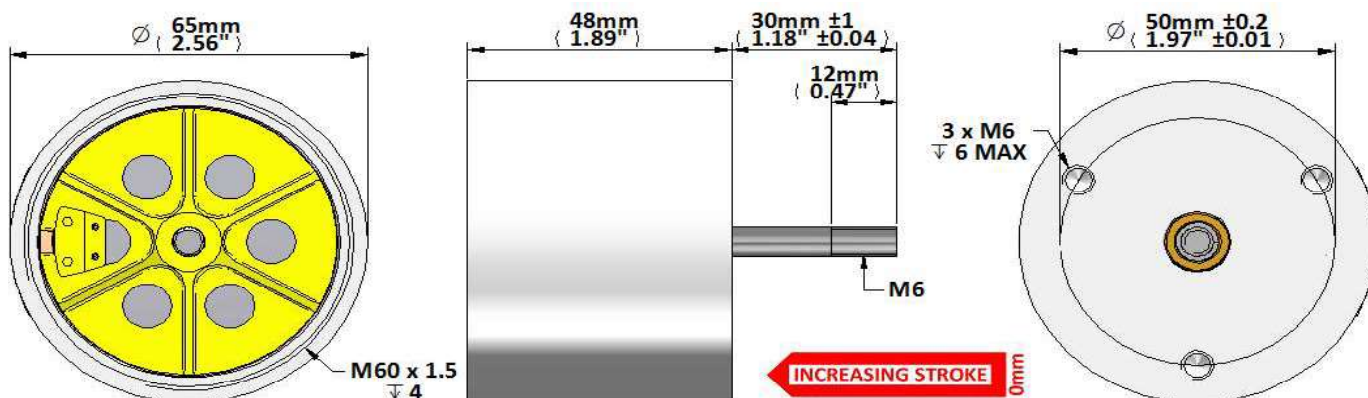
$P_{100}$  is the continuous (100% ED) excitation power at which the coil attains temperature  $T_{max}$  with the part mounted to a massive heatsink at 20°C

$P_{100}$  28 W  
 $T_{max}$  130 °C

Total Mass 950 g  
Coil Mass 90 g

Model No.	Resistance $R_{20}$	Inductance	Force Constant	Velocity Constant	Current $I_{100}$
VM6548-400	7.8 $\Omega$	7.4 mH	19 N/A	19 Vs/m	1.6 A
VM6548-315	23.3 $\Omega$	12.0 mH	32 N/A	32 Vs/m	0.9 A
VM6548-200	121.0 $\Omega$	96.0 mH	72 N/A	72 Vs/m	0.4 A

	Max 'ON' time	Peak Force
100% ED	$\infty$	24 N
50% ED	90 s	34 N
25% ED	35 s	49 N
10% ED	13 s	77 N



Force (N) vs Displacement (mm)

