



# VM6340L

$P_{100}$  is the continuous (100% ED) excitation power at which the coil attains temperature  $T_{max}$  with the part mounted to a massive heatsink at 20°C

$P_{100}$  28 W

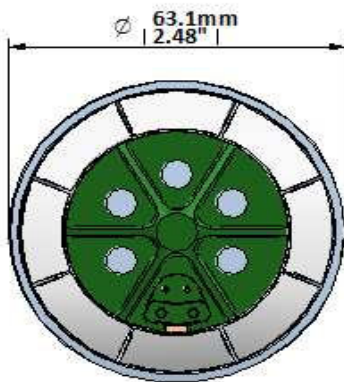
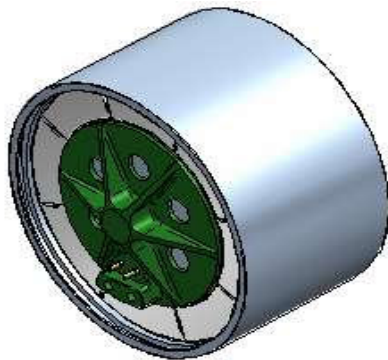
$T_{max}$  130 °C

Total Mass 750 g

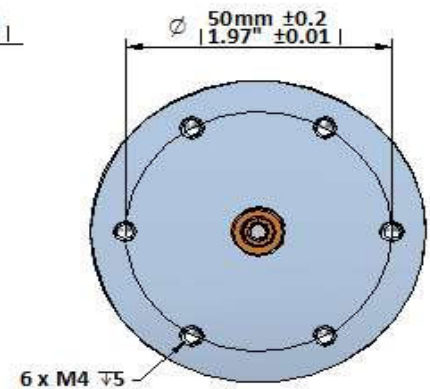
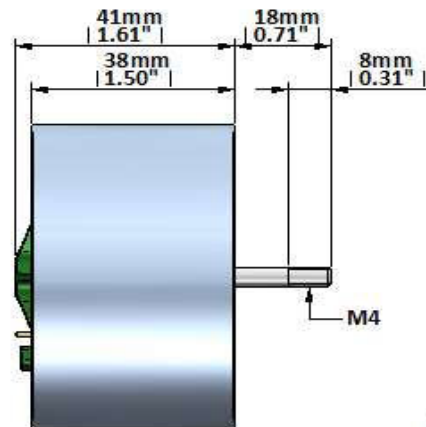
Coil Mass 43 g

Model No.	Resistance $R_{20}$	Inductance	Force Constant	Velocity Constant	Current $I_{100}$
VM6340L-400	3.7 $\Omega$	1.8 mH	14 N/A	14 Vs/m	2.3 A
VM6340L-250	22.0 $\Omega$	10.0 mH	33 N/A	33 Vs/m	1.0 A
VM6340L-190	67.0 $\Omega$	31.0 mH	57 N/A	57 Vs/m	0.5 A

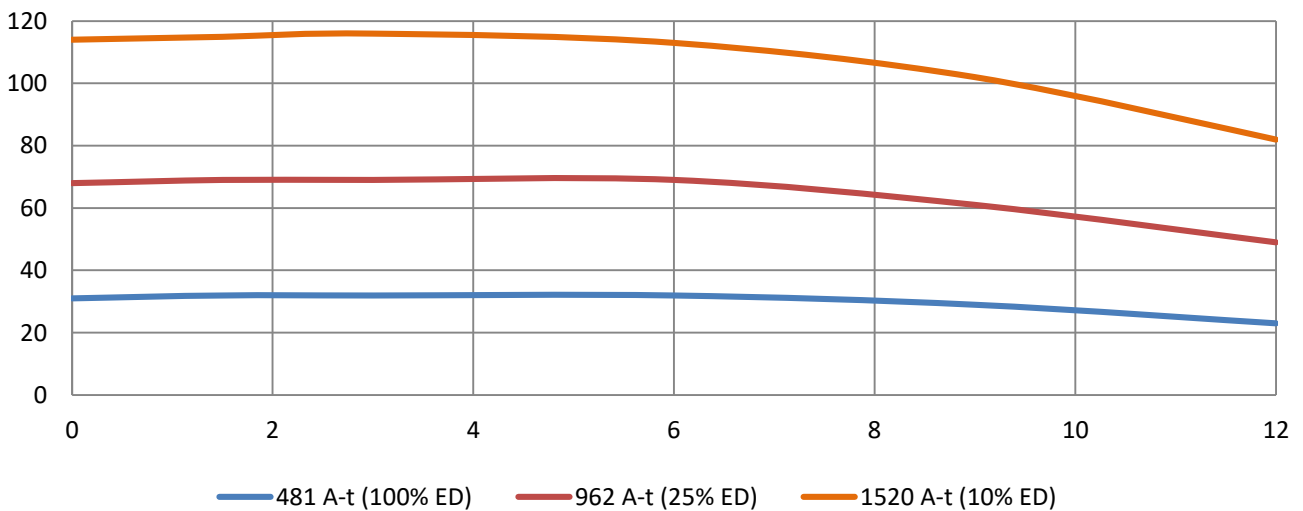
	Max 'ON' time	Peak Force
100% ED	$\infty$	32 N
50% ED	65 s	48 N
25% ED	12 s	69 N
10% ED	3 s	116 N



INCREASING STROKE 0mm



Force (N) vs Displacement (mm)



Geeplus reserves the right to change specifications without notice

[www.geeplus.com](http://www.geeplus.com)