



# VM6340

$P_{100}$  is the continuous (100% ED) excitation power at which the coil attains temperature  $T_{max}$  with the part mounted to a massive heatsink at 20°C

$P_{100}$  24 W

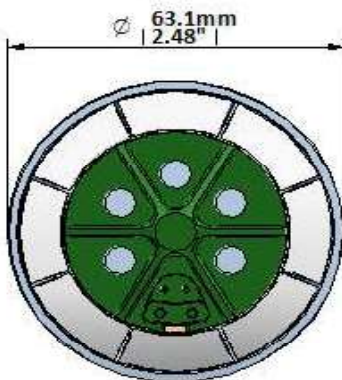
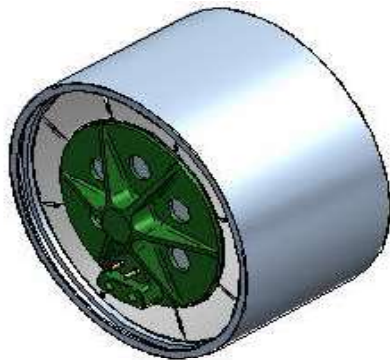
$T_{max}$  130 °C

Total Mass 750 g

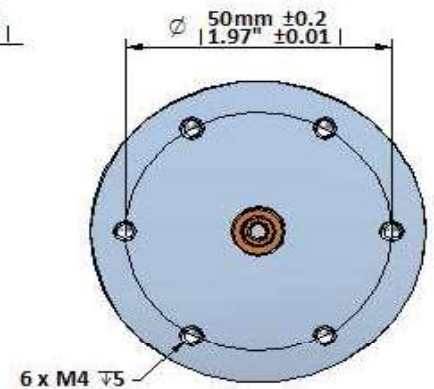
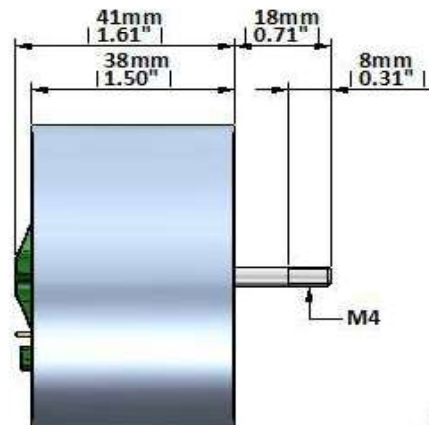
Coil Mass 40 g

Model No.	Resistance $R_{20}$	Inductance	Force Constant	Velocity Constant	Current $I_{100}$
VM6340-400	2.5 $\Omega$	1.3 mH	12 N/A	12 Vs/m	2.6 A
VM6340-250	15.3 $\Omega$	7.8 mH	29 N/A	29 Vs/m	1.1 A
VM6340-190	45 $\Omega$	20.0 mH	51 N/A	51 Vs/m	0.6 A

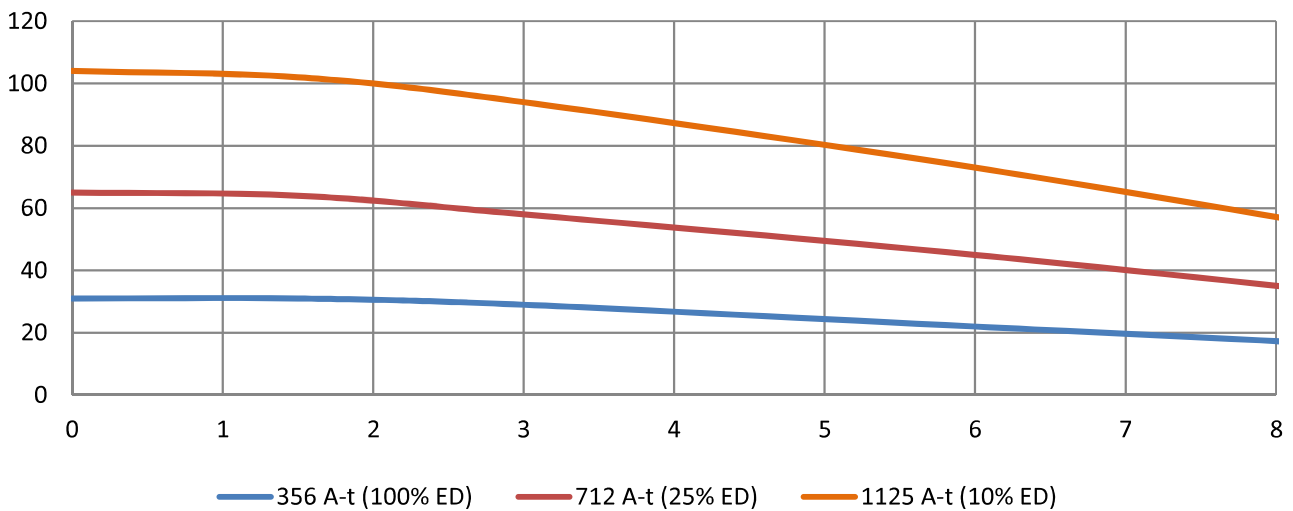
	Max 'ON' time	Peak Force
100% ED	$\infty$	31 N
50% ED	65 s	46 N
25% ED	12 s	65 N
10% ED	3 s	104 N



INCREASING STROKE 0mm



Force (N) vs Displacement (mm)



Geeplus reserves the right to change specifications without notice

[www.geeplus.com](http://www.geeplus.com)