



VM4032 & VM4040

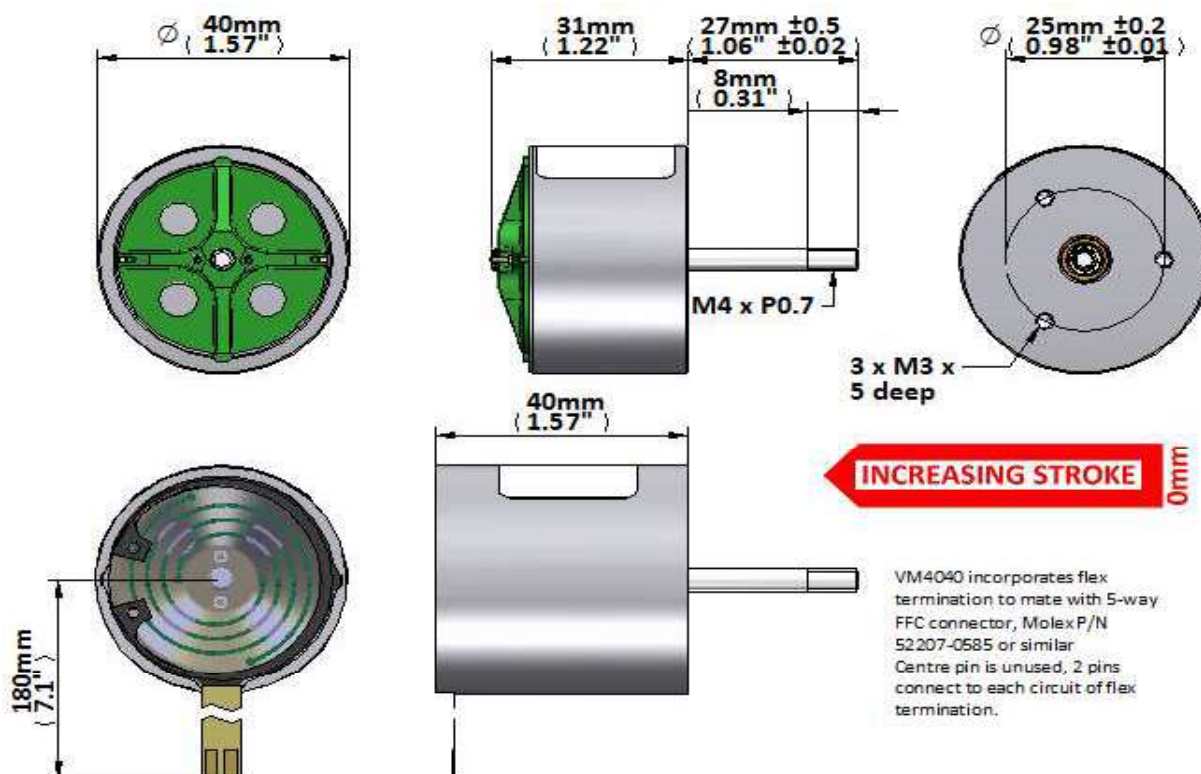
P_{100} is the continuous (100% ED) excitation power at which the coil attains temperature T_{max} with the part mounted to a massive heatsink at 20°C

P_{100} 16 W
 T_{max} 130 °C

Total Mass 230 g
Coil Mass 25 g

Model No.	Resistance R_{20}	Inductance	Force Constant	Velocity Constant	Current I_{100}
VM40xx-315	4.3 Ω	1.5 mH	5 N/A	5 Vs/m	1.6 A
VM40xx-250	12.8 Ω	5.2 mH	10 N/A	10 Vs/m	0.9 A
VM40xx-200	26.0 Ω	7.8 mH	12 N/A	12 Vs/m	0.7 A

	Max 'ON' time	Peak Force
100% ED	∞	9 N
50% ED	90 s	12 N
25% ED	28 s	15 N
10% ED	8 s	26 N



Force (N) vs Displacement (mm)

