



# VM3850RB

$P_{100}$  is the continuous (100% ED) excitation power at which the coil attains temperature  $T_{max}$  with the part mounted to a massive heatsink at 20°C

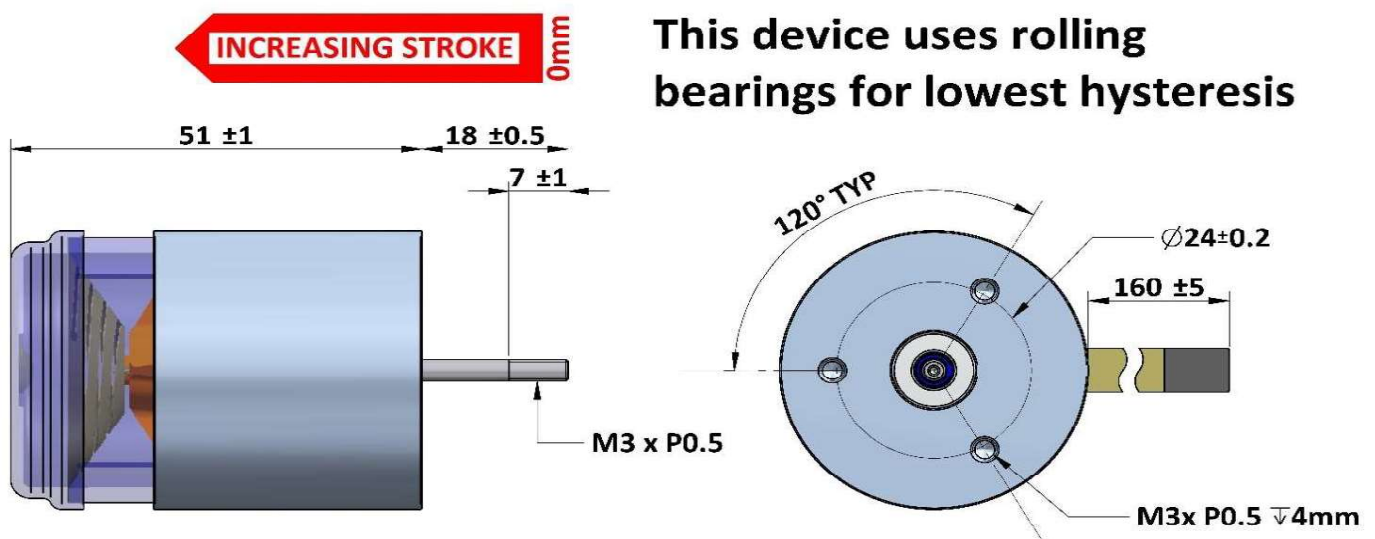
$P_{100}$  8 W  
 $T_{max}$  130 °C

Total Mass 60 g  
 Coil Mass 6 g

Model No.	Resistance $R_{20}$	Inductance	Force Constant	Velocity Constant	Current $I_{100}$
VM3850RB-200	25.4 $\Omega$		14.5 N/A	14.5 Vs/m	0.58 A
VM3850RB-265	8.2 $\Omega$	4.78 mH	8.6 N/A	8.6 Vs/m	1.02 A
VM3850RB-400	1.6 $\Omega$		3.9 N/A	3.9 Vs/m	2.31 A

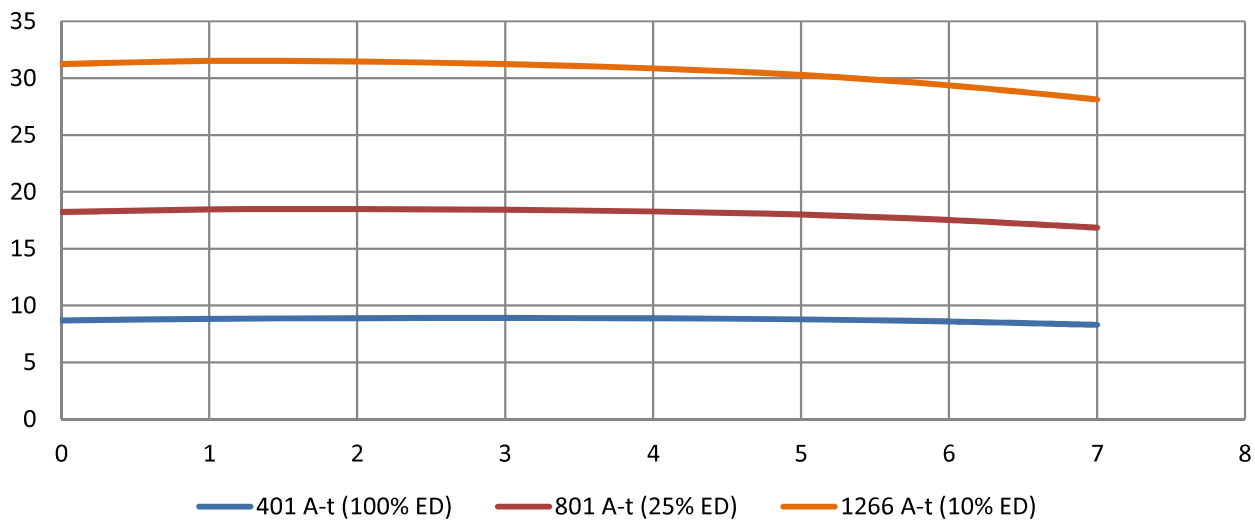
	Max 'ON' time	Peak Force
100% ED	$\infty$	8.5 N
50% ED	60 s	12.0 N
25% ED	26 s	17.0 N
10% ED	11 s	26.0 N

\*Inductance is measured with the shaft fully extended at 1kHz and will reduce as the shaft moves in to the pot.



This device uses rolling bearings for lowest hysteresis

Force (N) vs Displacement (mm)



Geeplus reserves the right to change specifications without notice  
[www.geeplus.com](http://www.geeplus.com)