



**GEEPLUS**

**VM2618 & VM2836**

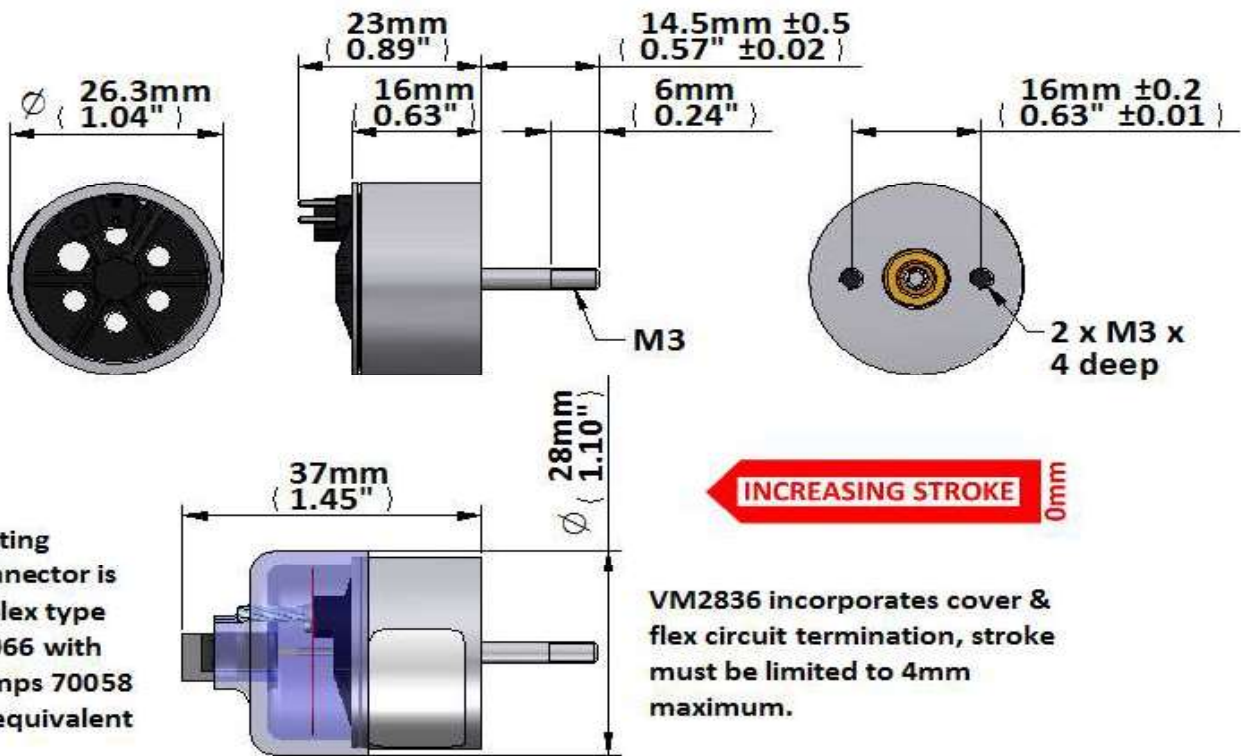
$P_{100}$  is the continuous (100% ED) excitation power at which the coil attains temperature  $T_{max}$  with the part mounted to a massive heatsink at 20°C

$P_{100}$  8 W  
 $T_{max}$  130 °C

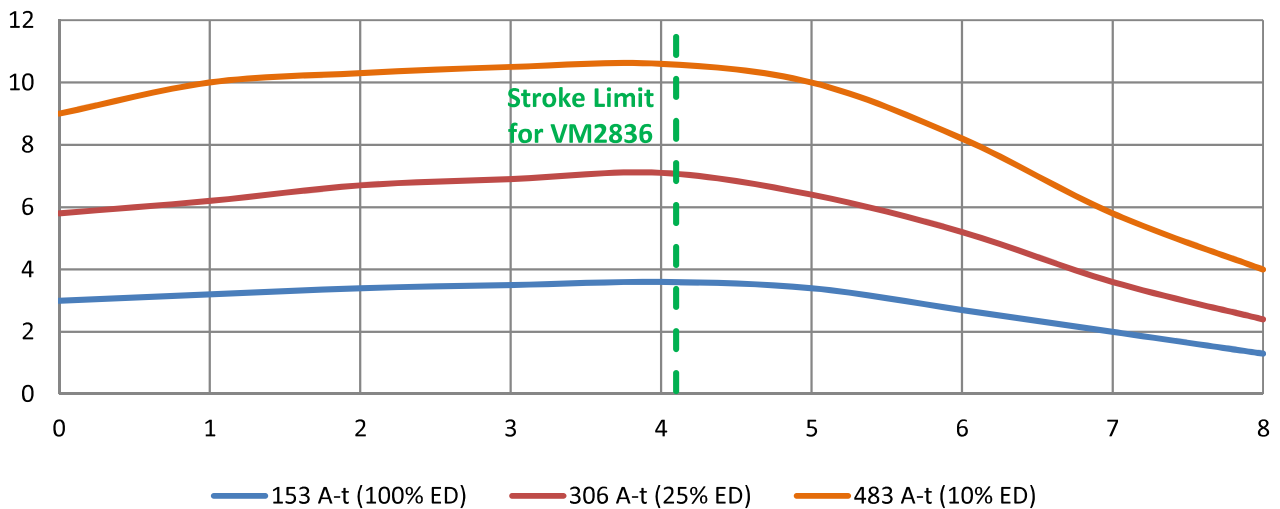
Total Mass 60 g  
 Coil Mass 6 g

Model No.	Resistance $R_{20}$	Inductance	Force Constant	Velocity Constant	Current $I_{100}$
VM2xxx-180	9.6 $\Omega$	1.3 mH	4 N/A	4 Vs/m	771 mA
VM2xxx-132	34.4 $\Omega$	5.3 mH	8 N/A	8 Vs/m	407 mA
VM2xxx-112	55.0 $\Omega$	7.3 mH	9 N/A	9 Vs/m	322 mA
VM2xxx-080	286.0 $\Omega$	40.0 mH	21 N/A	21 Vs/m	141 mA

	Max 'ON' time	Peak Force
100% ED	$\infty$	3.4 N
50% ED	55 s	4.8 N
25% ED	12 s	7.0 N
10% ED	3 s	10.6 N



**Force (N) vs Displacement (mm)**



Geeplus reserves the right to change specifications without notice  
[www.geeplus.com](http://www.geeplus.com)