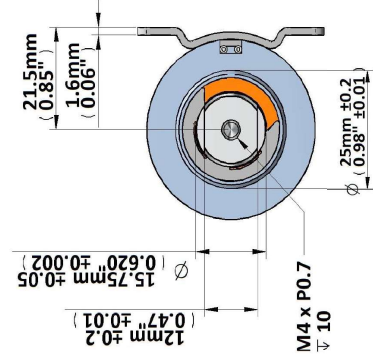
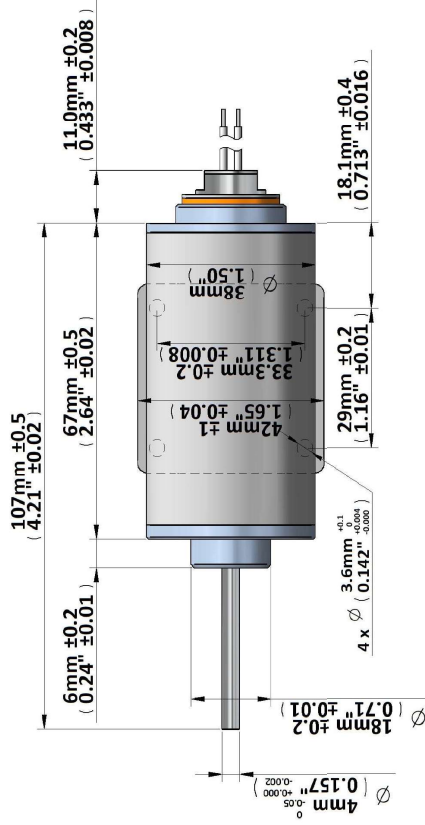


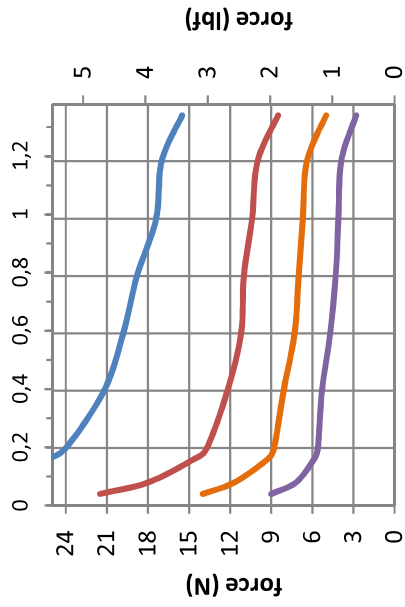


Super Stroke Solenoid M380SS-XXv

Device drawn in energised condition
 Life Expectancy >2M cycles
 Leadwires UL1430, 22AWG
 Plunger Mass 91 grammes
 Mass 535 grammes



force / stroke M380SS
 stroke (inch)

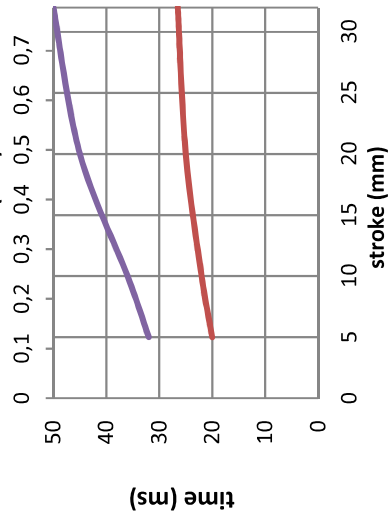


Data at 20°C, device performance measured without heat sink

duty cycle = "on" time "on" time + "off" time x 100%	100% cont.	50% or less	25% or less	10% or less	volts DC			
					resistance Ω±10% (at 20°C)	number of turns	100W (10%ED)	40W (25%ED)
Max. "on" time in seconds watts at 20°C	∞	330	80	20				
ampere-turns at 20°	1360	1923	2720	4300				
AWG no.								
M380SS-12v	15	1712	24,0	38,0				
M380SS-24v	58	3322	34,0	48,0				
M380SS-48v	224	6360	68,0	96,0				
M380SS-96v	871	12400	136,0	192				

Insulation Resistance >100MΩ, 500VDC Megger
 Class E (120°C) insulation class
 Dielectric Strength 1000VAC, 50/60Hz, 1 minute

response time
 stroke (inch)



Geeplus reserves the right to change specifications without notice
www.geeplus.com