



GEEPLUS

SH1LC-1140-xx

$$\text{Duty Cycle} = \frac{\text{"on" time}}{\text{"on" time} + \text{"off" time}} \times 100\% \quad 25\% \text{ ED}$$

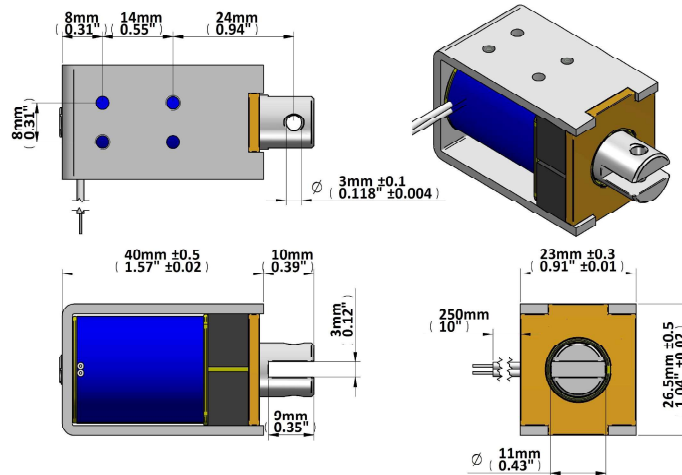
Coil Data

Maximum "on" time in seconds	20
Watts at 20°C	17,6
Ampere-Turns at 20°C	968

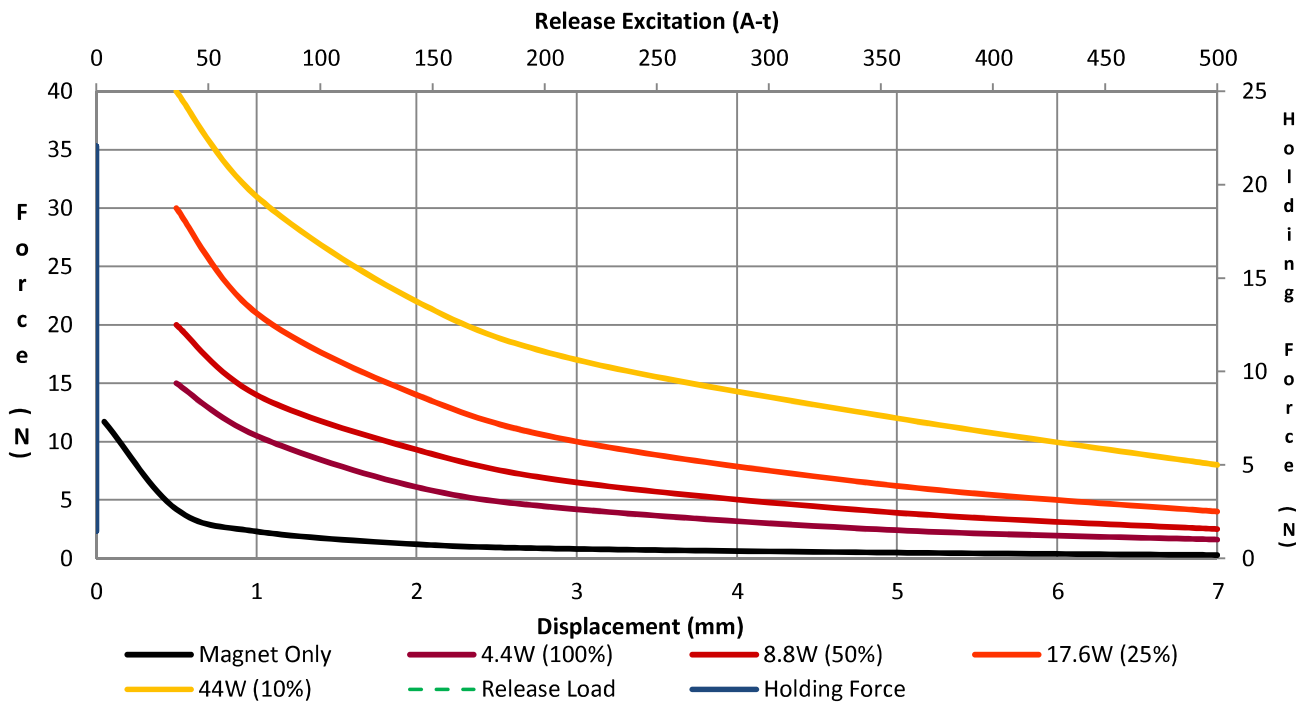
P/N	Resistance ±10% @ 20°C	Coil Turns	Volts DC	Release Current
SH1LC-1140-06	2.1 Ω	340	6	1060 mA
SH1LC-1140-12	8.2 Ω	640	12	560 mA
SH1LC-1140-24	32.7 Ω	1360	24	260 mA

General Parameters

Life Expectancy (Cycles)	200 000
Mass	120 grammes
Plunger Mass	28.1 grammes
Leadwires 250mm (10")min, UL1007, AWG26	
Isolation Class	A (105°C)
Dielectric Strength 1000V AC, 50/60Hz, 1min	
Insulation Res >100MΩ, 500V DC Megger	



Force (N) vs Displacement (mm) & Release Characteristic



Geeplus reserves the right to change specifications without notice
www.geeplus.com